

HOW TO CLEAN AND STORE THE BUSH TELLY



A quick guide to ensure that your **Bush Telly** lasts a lifetime

①



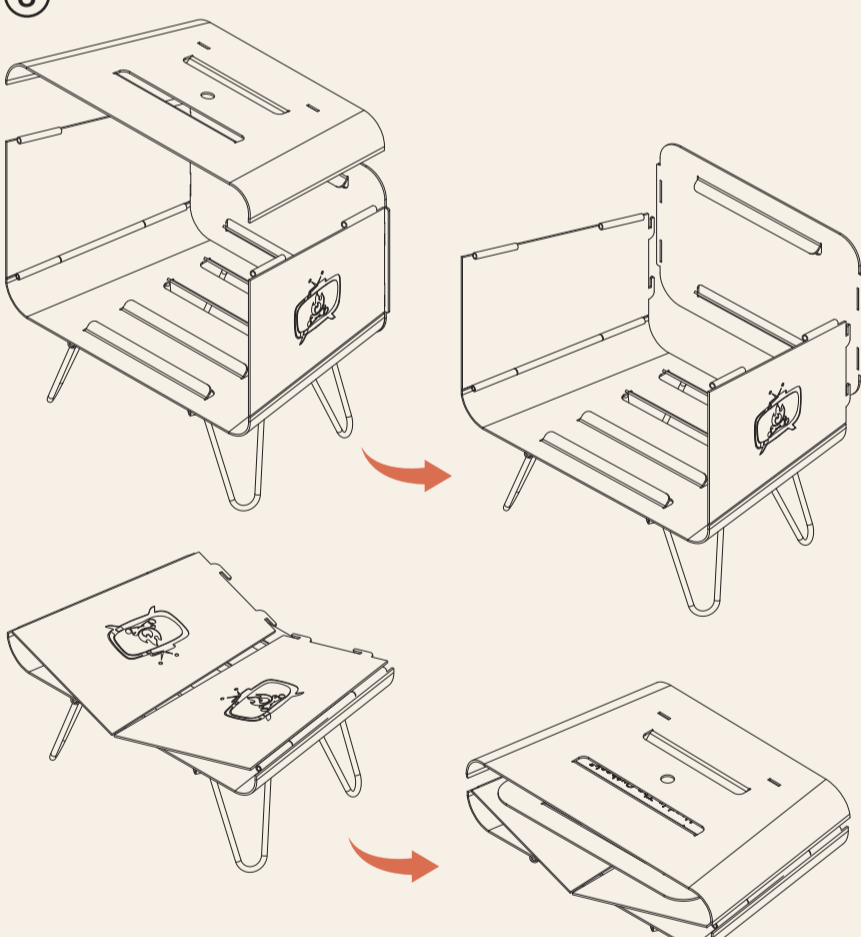
THE BUSH TELLY MUST BE **COOL TO THE TOUCH** BEFORE YOU START THE PACK DOWN PROCESS

②



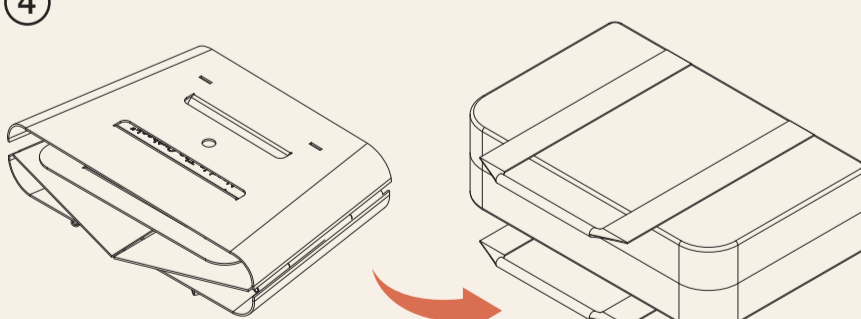
BRUSH OUT THE LEFT OVER COAL AND ASH IN THE BOTTOM ON THE BUSH TELLY

③



PACK DOWN THE BUSH TELLY

④

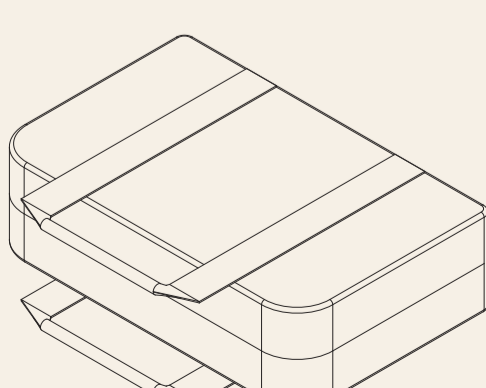


PLACE THE BUSH TELLY INTO THE SUPPLIED CANVAS BAG



REMEMBER TO PACK ALL PIECES INTO THE BAG, **ESPECIALLY THE PINS**

⑤



STORE THE BUSH TELLY IN A LOCATION THAT **WONT GET WET OR DAMP**