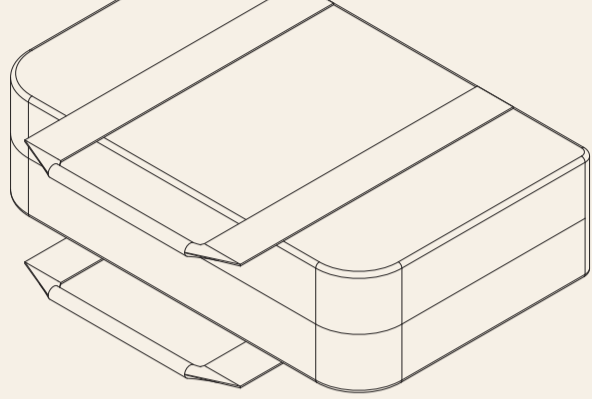


HOW TO SET UP THE BUSH TELLY



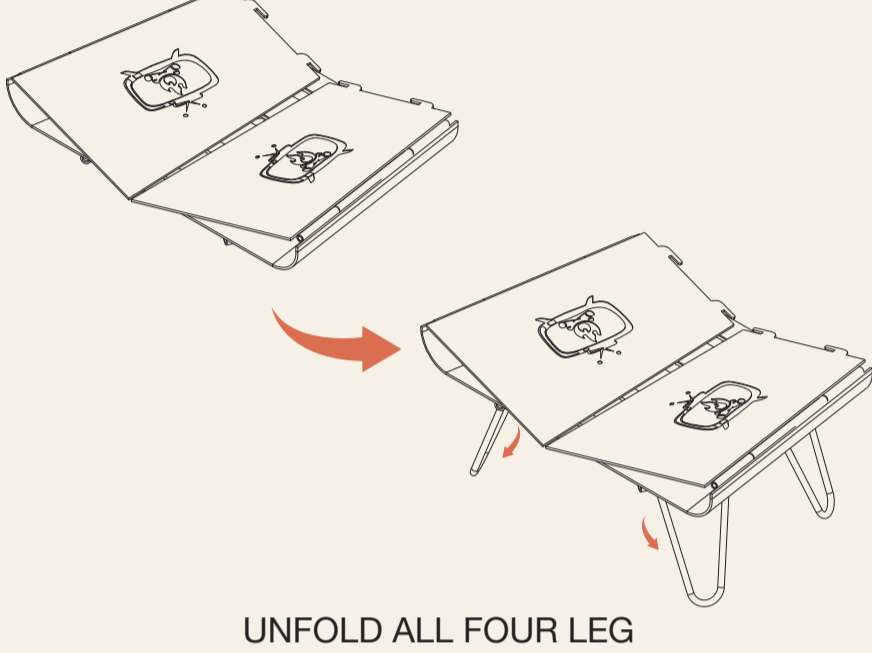
A quick start guide to getting you closer to experiencing **The Bush Telly** fire for the first time.

①



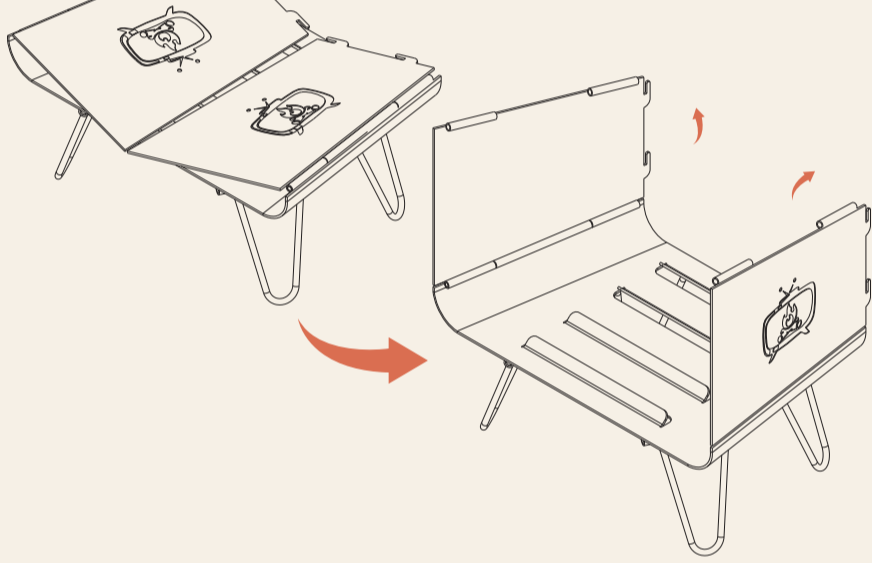
UNZIP AND REMOVE ALL CONTENTS FROM THE CANVAS BAG

②



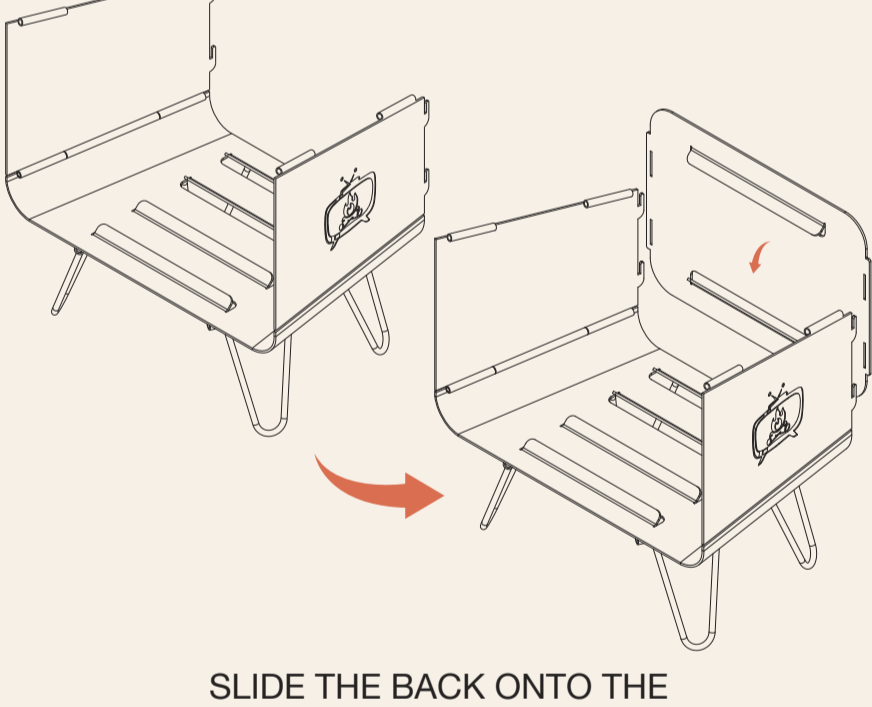
UNFOLD ALL FOUR LEG ON THE BOTTOM

③



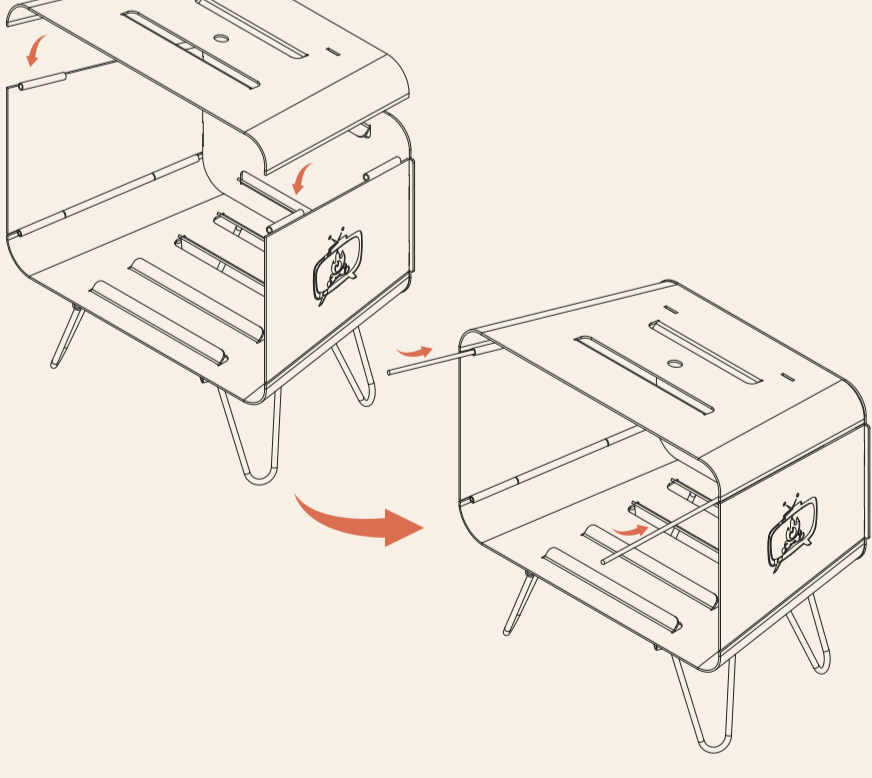
UNFOLD THE TWO SIDES

④

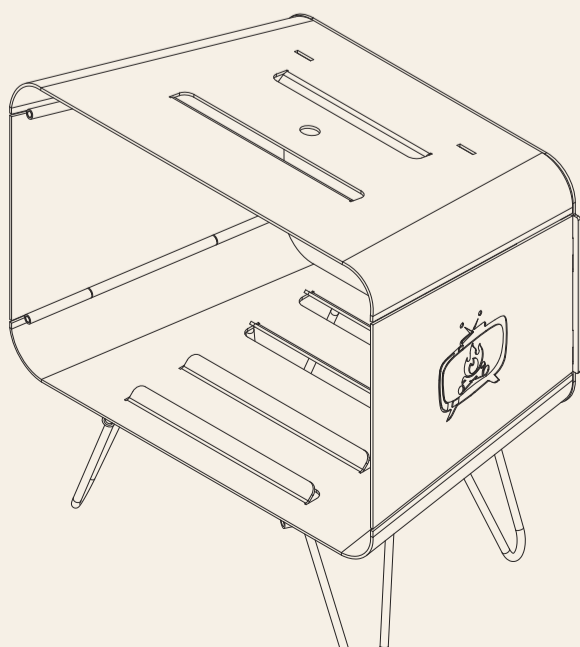


SLIDE THE BACK ONTO THE HOOKS ON THE SIDES

⑤



PLACE THE TOP ON AND SLIDE IN THE PINS



NOW YOU'RE READY TO START A FIRE AND ENJOY THE BUSH TELLY